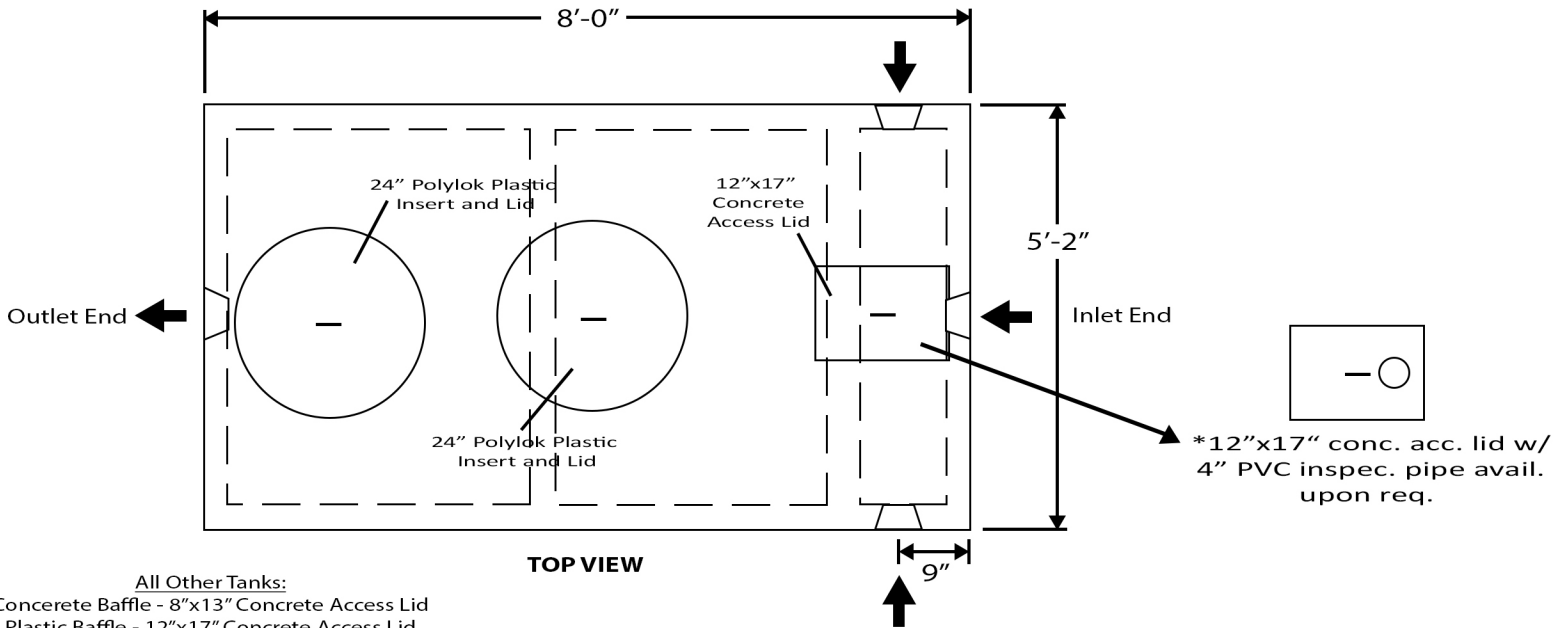
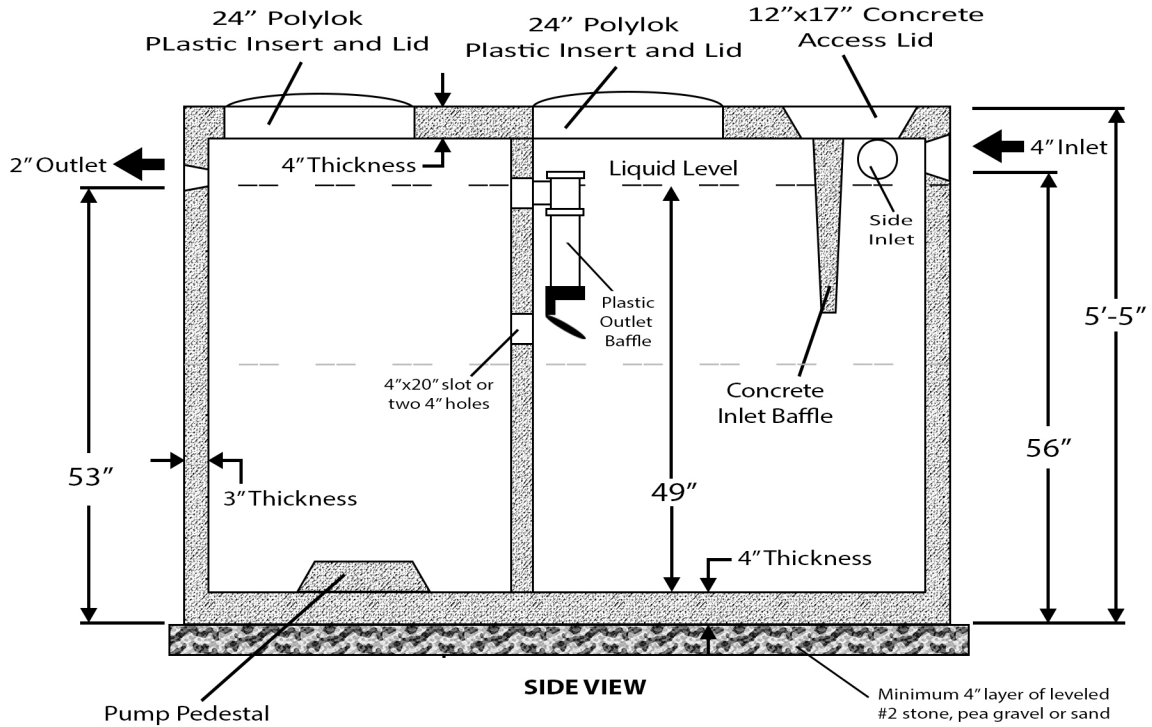


# 1,000 GAL. DUAL CHAMBER PUMP SEPTIC TANK



All Other Tanks:  
 Concrete Baffle - 8"x13" Concrete Access Lid  
 Plastic Baffle - 12"x17" Concrete Access Lid



## SPECIFICATIONS

- Concrete Min. Strength: 5,000 psi
- Reinforcement: #3 Rebar, 6x6x10x10 Wire, Nycon XL100 Fiber
- Air Entrainment: 6%
- Construction Joint: Polylok Butyl Rubber Sealant
- Pipe Connection: Polylok Seal
- Weight = 8,000 lbs.

**Peenpack Inc.**

96 Lybolt Drive  
 Huguenot, NY 12746  
 (845)-856-6726 / Fax 856-6842  
 peenpack@frontier.com  
 www.peenpack.com

2019