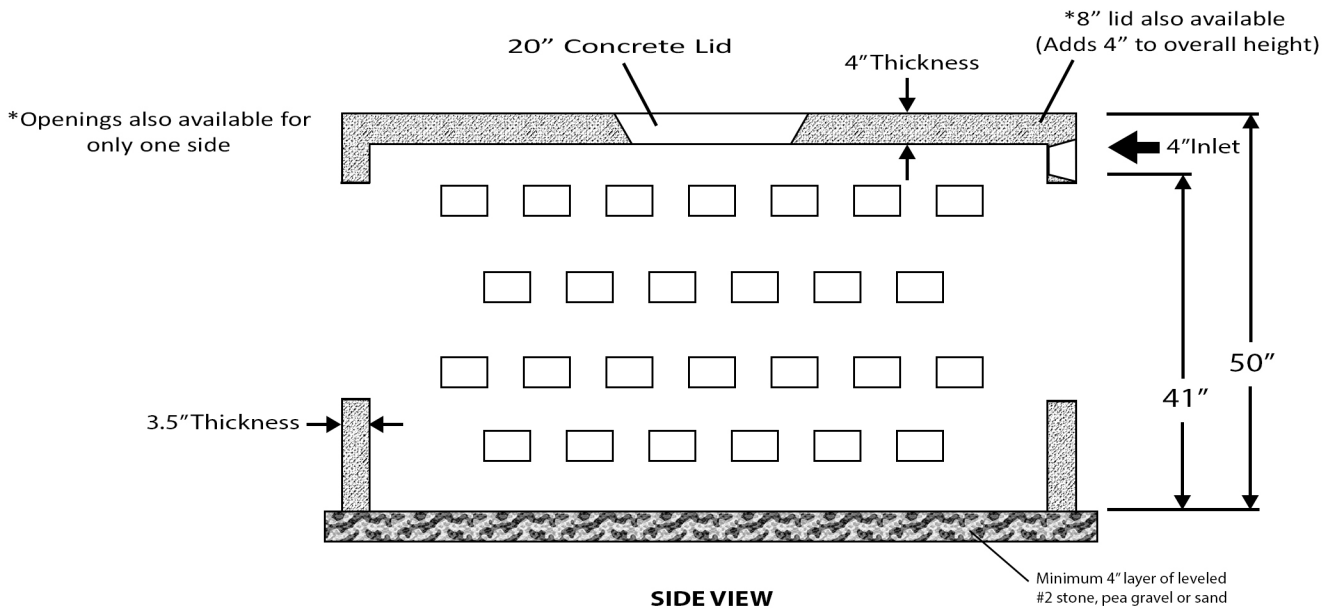
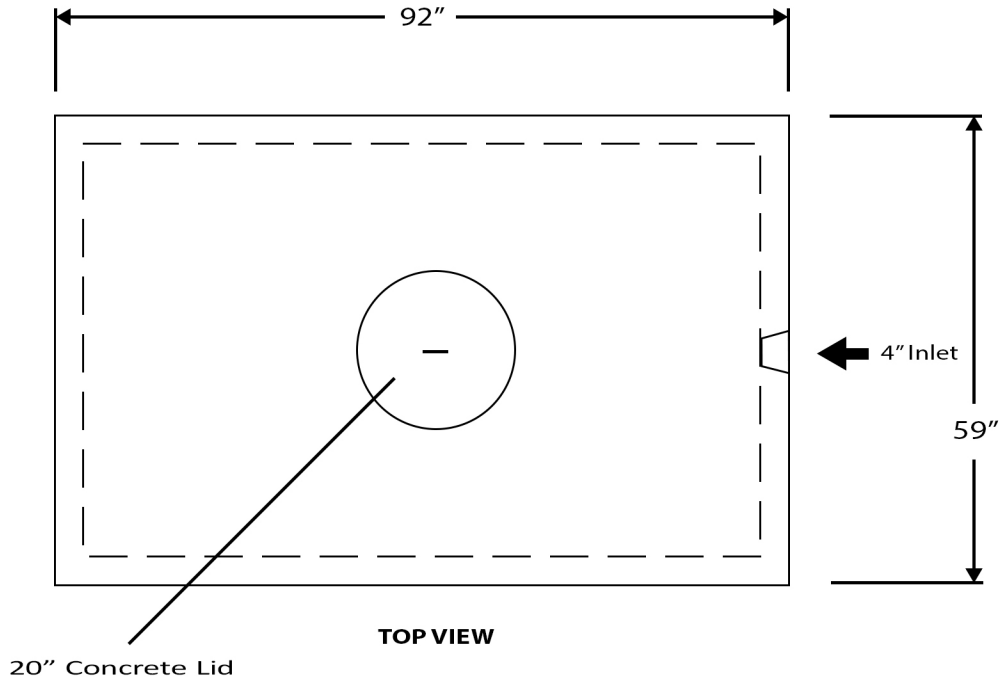


1,000 GAL. DRYWELL GALLEY WAY



SPECIFICATIONS	
<ul style="list-style-type: none"> - Concrete Min. Strength: 5,000 psi - Reinforcement: #3 Rebar, 6x6x10x10 Wire, Nycon XL100 Fiber - Air Entrainment: 6% - Weight = 	<p>Peenpack Inc.</p> <p>96 Lybolt Drive Huguenot, NY 12746 (845)-856-6726 / Fax 856-6842 peenpack@frontier.com www.peenpack.com</p> <p>2019</p>