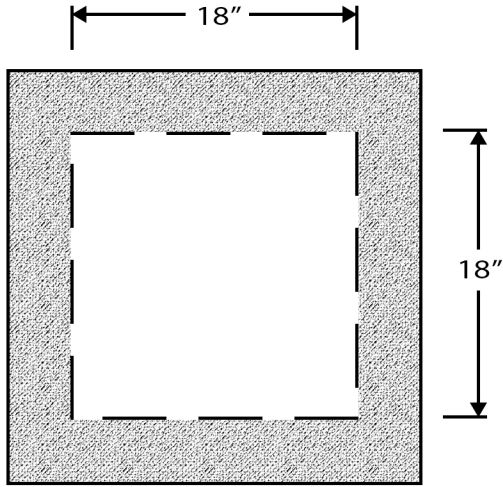
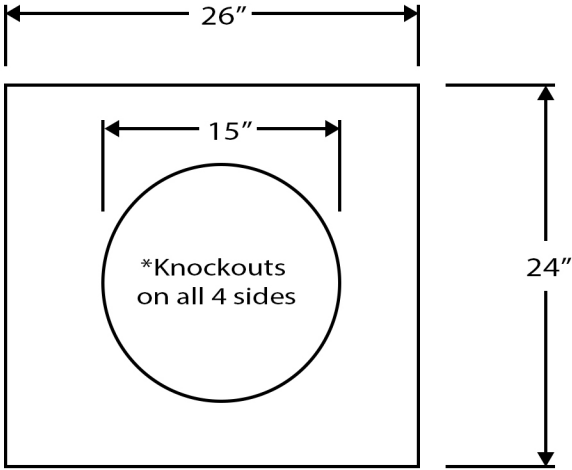


18" x 18" CATCH BASIN



TOP VIEW



SIDE VIEW

SPECIFICATIONS	
<ul style="list-style-type: none">- Concrete Min. Strength: 5,000 psi- Reinforcement: #3 Rebar, 6x6x10x10 Wire, Nycon XL100 Fiber- Air Entrainment: 6%	<p>Peenpack Inc. 96 Lybolt Drive Huguenot, NY 12746 (845)-856-6726 / Fax 856-6842 peenpack@frontier.com www.peenpack.com</p>
	2019