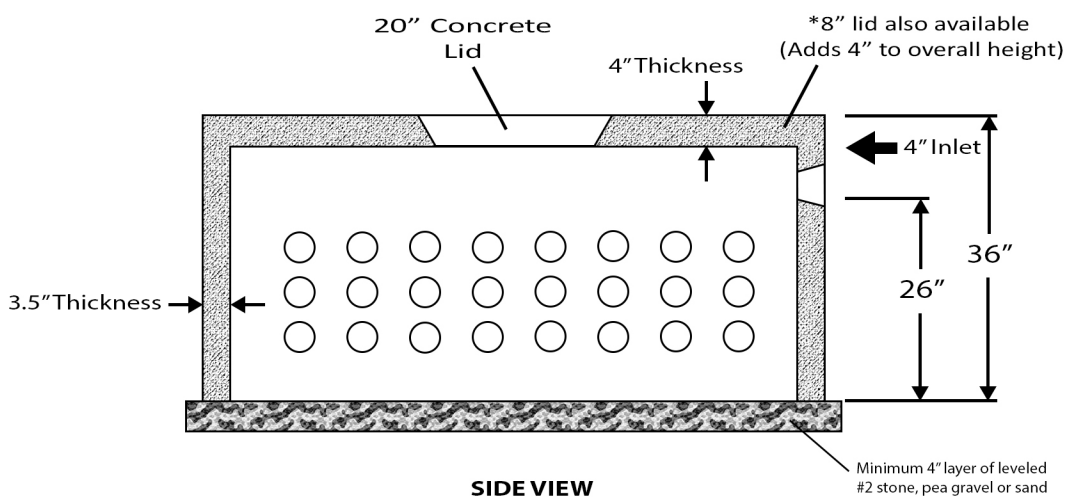
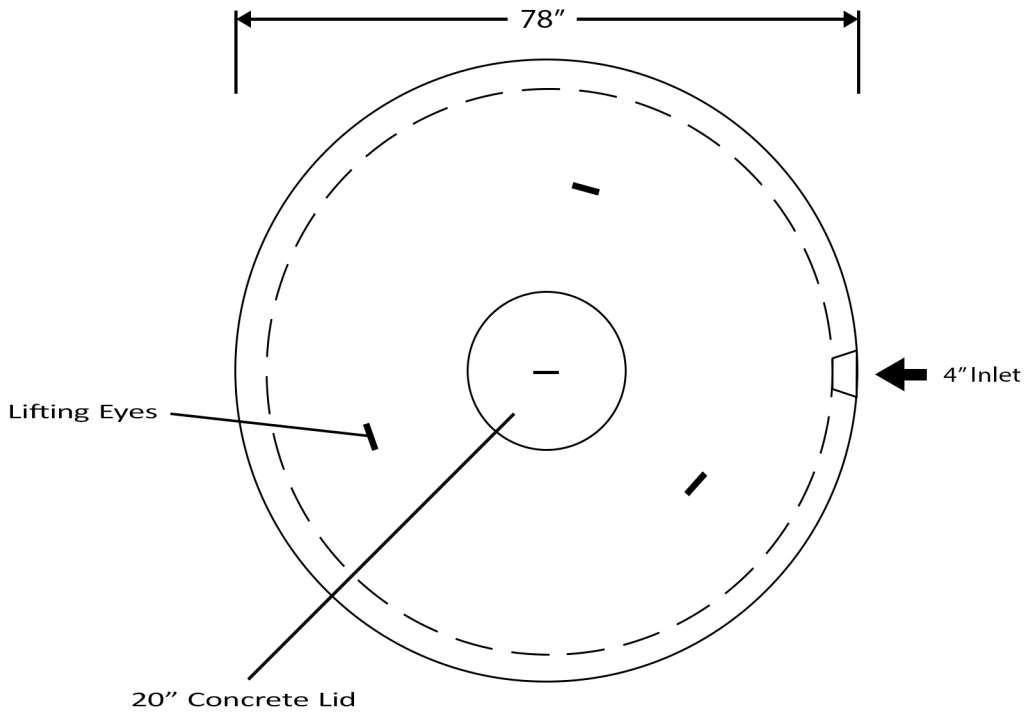


**600 GAL. DRYWELL COMBO**



<b>SPECIFICATIONS</b>	
<ul style="list-style-type: none"> <li>- Concrete Min. Strength: 5,000 psi</li> <li>- Reinforcement: #3 Rebar, 6x6x10x10 Wire, Nycon XL100 Fiber</li> <li>- Air Entrainment: 6%</li> <li>- Weight = 4,000 lbs.</li> </ul>	<p style="font-size: 1.2em; font-weight: bold; margin: 0;"><b>Peenpack Inc.</b></p> <p style="margin: 0;">96 Lybolt Drive Huguenot, NY 12746 (845)-856-6726 / Fax 856-6842 peenpack@frontier.com www.peenpack.com</p> <p style="margin: 0;">2019</p>