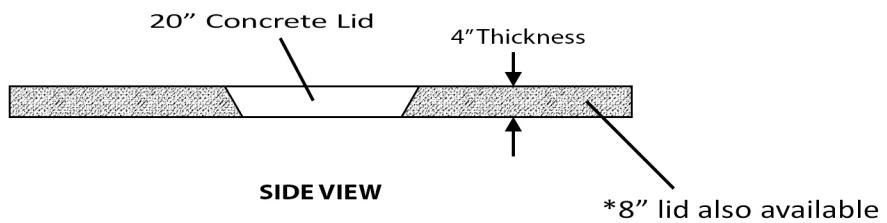
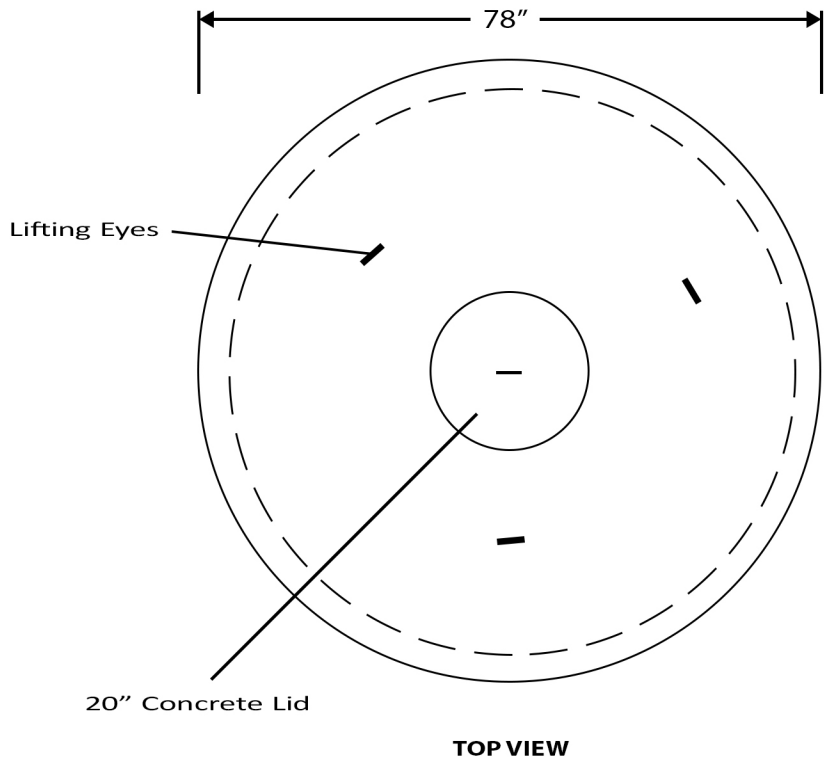


**600 GAL. DRYWELL LID**



| <b>SPECIFICATIONS</b>   |  |
|---|--|
| <ul style="list-style-type: none"> <li>- Concrete Min. Strength: 5,000 psi</li> <li>- Reinforcement: #3 Rebar, 6x6x10x10 Wire, Nycon XL100 Fiber</li> <li>- Air Entrainment: 6%</li> <li>- Construction Joint: Polylok Butyl Rubber Sealant</li> <li>- Weight = 1,640 lbs.</li> </ul> | <p><b>Peenpack Inc.</b><br/>           96 Lybolt Drive<br/>           Huguenot, NY 12746<br/>           (845)-856-6726 / Fax 856-6842<br/>           peenpack@frontier.com<br/>           www.peenpack.com</p> <p style="text-align: center;">2019</p> |