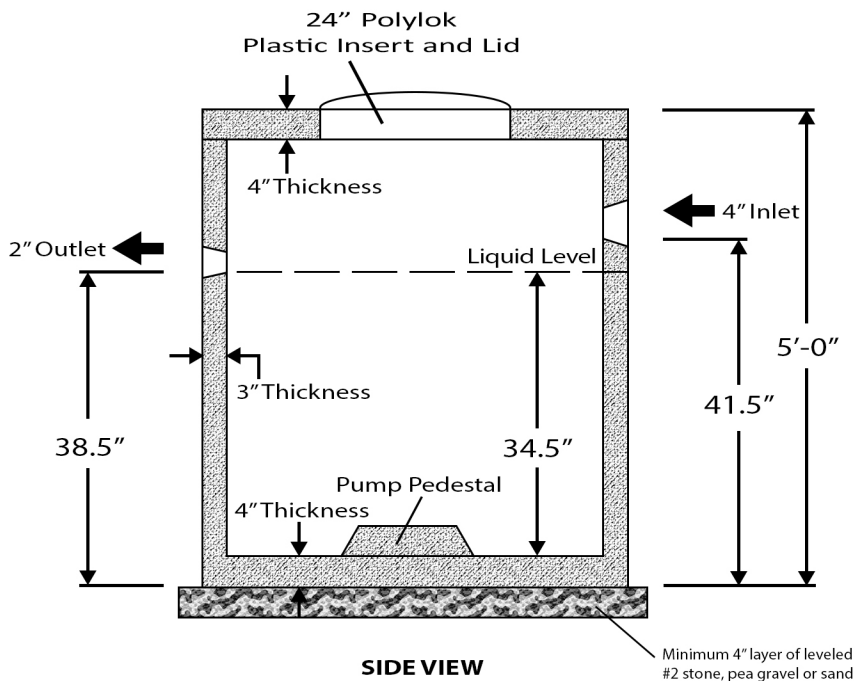
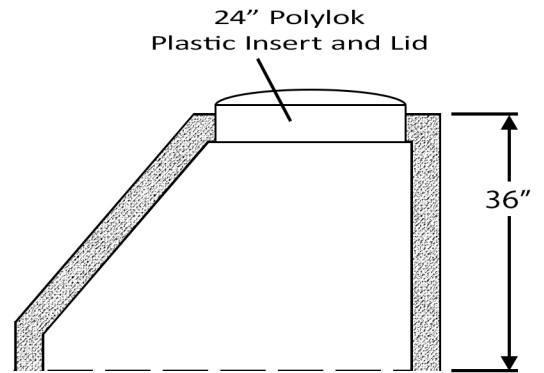
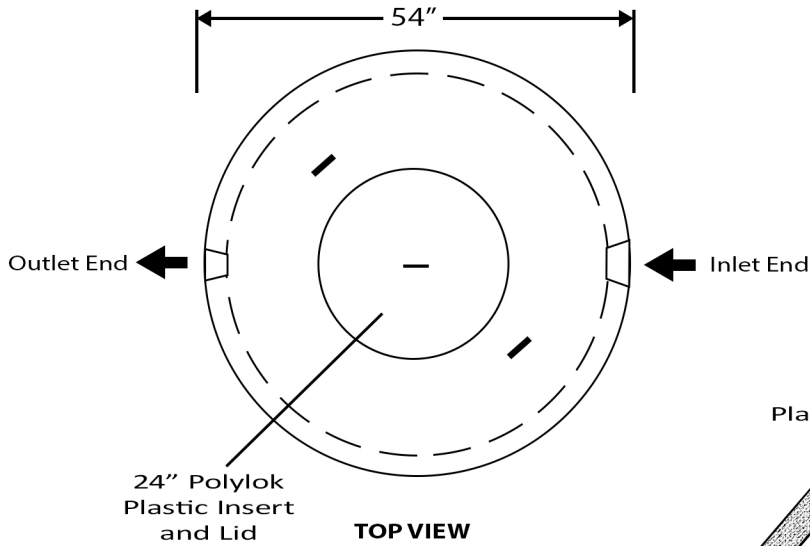


300 GAL. PUMP TANK



SPECIFICATIONS	
<ul style="list-style-type: none"> - Concrete Min. Strength: 5,000 psi - Reinforcement: #3 Rebar, 6x6x10x10 Wire, Nycon XL100 Fiber - Air Entrainment: 6% - Construction Joint: Polylok Butyl Rubber Sealant - Pipe Connection: Polylok Seal - Weight = 3,600 lbs. 	<p style="font-size: 1.2em; font-weight: bold; margin: 0;">Peenpack Inc.</p> <p style="margin: 0;">96 Lybolt Drive Huguenot, NY 12746 (845)-856-6726 / Fax 856-6842 peenpack@frontier.com www.peenpack.com</p> <p style="margin: 0;">2019</p>